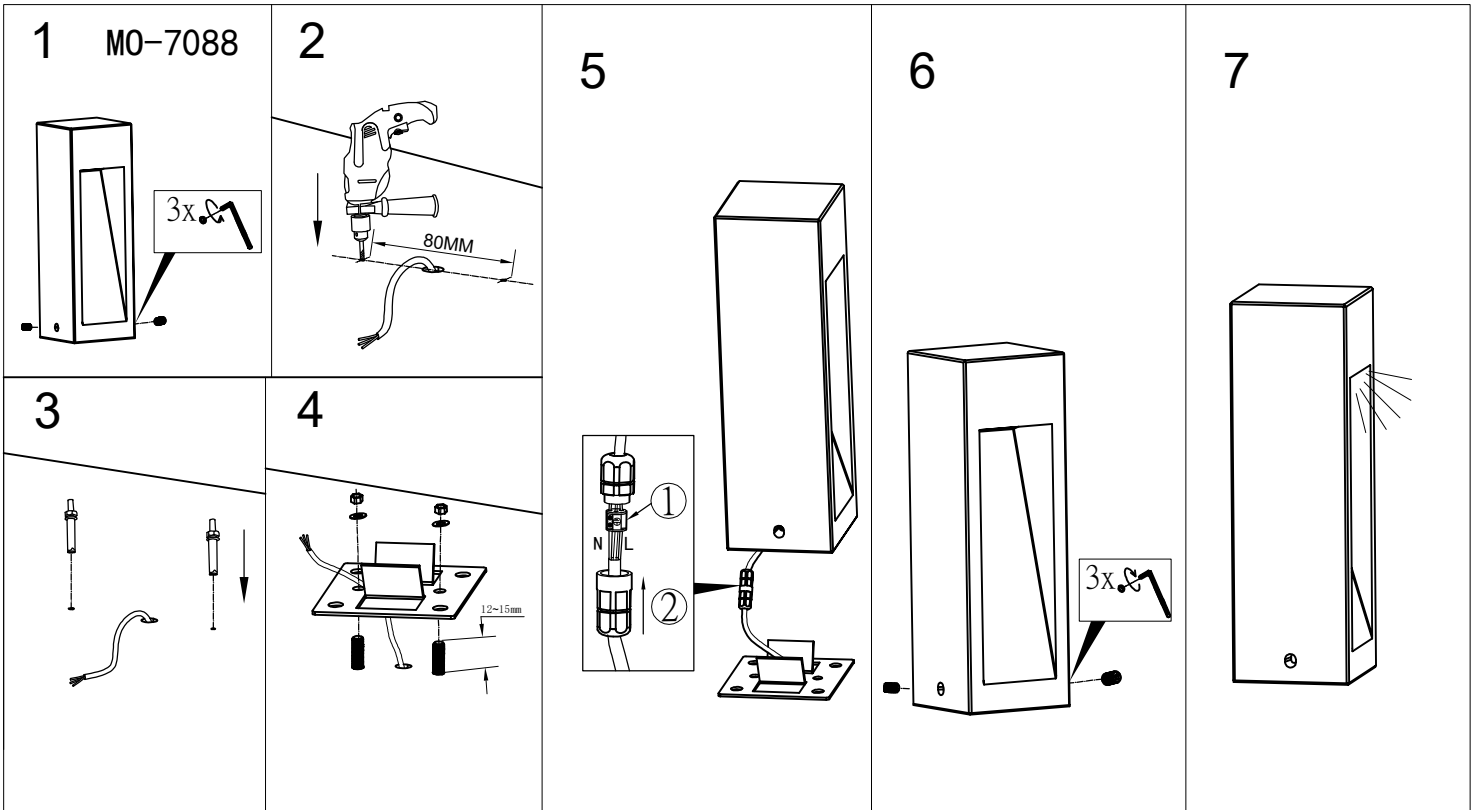


ATTENTION: FOR THIS OPERATION YOU HAVE TO CUT OFF THE POWER

MAXIMUM
220-240V~ 50/60Hz Total:10.3W
LED 9.6W



ATTENTION: FOR THIS OPERATION YOU HAVE TO CUT OFF THE POWER

MAXIMUM
220-240V~ 50/60Hz Total:10.3W
LED 9.6W

